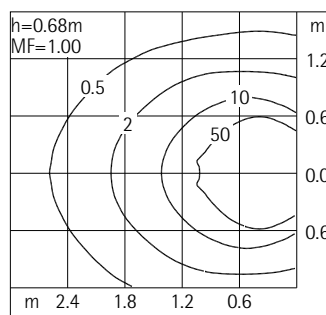


**33367.000** Graphit m  
LED 3W 345lm 3000K warm white  
Switchable  
Version 8  
Prism lens, deep beam

**Product description**  
Housing and wall plate: corrosion-resistant cast aluminium, No-Rinse surface treatment. Double powder-coated. Optimised surface for reduced accumulation of dirt. Control gear. 2 cable entries. Through-wiring possible. 3-pole terminal block. LED module: high-power LEDs on metal-core PCB. Collimating lens made of optical polymer. Softec lens as safety glass. Protection mode IP65: dust-proof and water jet-proof. Weight 0.88kg  
Housing temperature 34°C



**Technical data**

Luminous flux of the luminaire	242lm
Connected load	5W
Luminaire efficacy	48lm/W
Colour deviation	2 SDCM
Colour rendition index	CRI ≥90
Lumen maintenance (LM-80/TM-21)	L90/B10 ≤50000h
Lumen maintenance (LED manufacturer specifications)	L90 ≤100000h
LED failure rate	0.1% ≤50000h
Dimming range	--
Dimming method	--
LMF	F
Energy efficiency class	EEL A++
Standby power per control gear	--
Luminaires per circuit breaker B16	50
Temperature on the light aperture	35°C

For your regional contact in the ERCO  
Sales network click here  
[www.erco.com/contact](http://www.erco.com/contact)

Technical Region: 220V-240V/50Hz  
We reserve the right to make technical and design changes.  
Edition: 27.10.2017  
Current version under  
[www.erco.com/33367.000](http://www.erco.com/33367.000)

## Planning data

Cleaning (a)	1				2				3			
	P	C	N	D	P	C	N	D	P	C	N	D
LMF	0.93	0.86	0.81	0.74	0.88	0.77	0.66	0.57	0.85	0.70	0.55	0.45
RSMF	0.97	0.95	0.91	0.86	0.97	0.94	0.90	0.86	0.97	0.94	0.90	0.86

Hours of operation (h)	1000	5000	10000	20000	30000	40000	50000
LLMF	1.00	0.99	0.98	0.96	0.94	0.92	0.90
LSF	1	1	1	1	1	1	1

MF	LMFxRSMFxLLMFxLSF
MF	Maintenance Factor
LMF	Luminaire Maintenance Factor
RSMF	Room Surface Maintenance Factor
LLMF	Lamp Lumens Maintenance Factor
LSF	Lamp Survival Factor
P	Room pure
C	Room clean
N	Room normal
D	Room dirty

### Technical data in accordance with international norms and standards

IEC 60598	Luminaires – Part 1+2: general requirements, specific requirements and tests
IEC 62031	LED modules for general lighting – safety requirements
IEC 62471	Photobiological safety of lamps and lamp systems
EN 13032-4	Light and lighting – measurement and representation of photometric data
CIE 13	Method of measuring and specifying colour rendering properties of light sources

All technical data is subject to industrially standard tolerances.  
Also see [www.erco.com/erco-led](http://www.erco.com/erco-led)

## Accessories



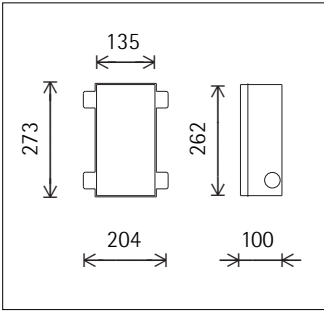
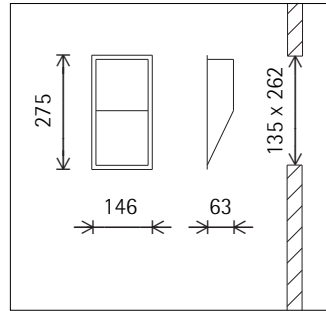
**34974.000**  
 Distribution box, IP68  
 With four cable entries, 7-25mm.  
 Polymer.  
 ø 102mm, L 305mm.  
 Weight 0.47kg  
 CE IP 68 3m



**33362.000**  
 Recessed cassette  
 for concrete housings and housings for  
 recessed mounting.  
 Metal, graphite m, powder-coated.  
 2 cable entries.  
 Concrete housings and housings for  
 recessed mounting to be ordered separately.  
 Weight 0.25kg



**33329.000**  
 Concrete housing  
 Polymer.  
 2 cable entries.  
 Recommended 0-8mm aggregate for  
 the concrete.  
 Weight 0.78kg  
 Only in conjunction with  
 33362.000



**33332.000**  
 Recessed housing  
 for recessed mounting in brickwork.  
 Polymer.  
 2 cable entries.  
 Recessed mounting plate to be ordered  
 separately.  
 Weight 0.35kg  
 Only in conjunction with  
 33362.000

