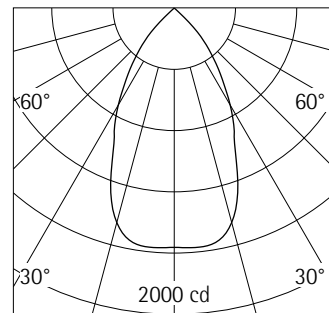


42065.000
 LED 18W 1890lm 3000K warm white
 Switchable
 Version 2
 Size 4
 Covered mounting detail
 Diffuser lens wide flood

Product description
 Housing: cast aluminium, designed as heat sink, with connection cable L 500mm. Fixing ring: polymer, black. Mounting ring: Polymer, white (RAL9002). Expanding spring fixing for ceiling thicknesses of 1-25mm. Includes control gear. 2-pole terminal block.
 LED module: high-power LEDs on metal-core PCB. Diffuser lens made of optical polymer.
 Darklight reflector: polymer, aluminium vaporised, silver, mirror-finish. Cut-off angle 40°.
 The luminaire is protected on the room side against splashing water.
 Protection Class II
 Weight 0.75kg



Beam angle
 C₀ 57°
 UGR glare evaluation
 C₀ 18.6

Technical data

Luminous flux of the luminaire	1442lm
Connected load	21.0W
Luminaire efficacy	69lm/W
Colour deviation	1.5 SDCM
Colour rendition index	CRI 92
Lumen maintenance (LED manufacturer specifications)	L90/B10 ≤50000h L90 ≤100000h
LED failure rate	0.1% ≤50000h
Dimming range	--
Dimming method	--
LMF	D
Energy efficiency class	EEI A+
Standby power per control gear	--
Luminaires per circuit breaker B16	30

For your regional contact in the ERCO
 Sales network click here
www.erco.com/contact

Technical Region:
 220V-240V/50Hz-60Hz
 We reserve the right to make technical and design changes.
 Edition: 30.01.2020
 Current version under
www.erco.com/42065.000

Planning data

42065.000 LED 18W 1890lm 3000K warm white
 Connected load P: 21 W
 Connected load per 100lx P*: 1.3 W/m²
 Number of luminaires per 100lx n*: 6.3 1/100m²

42065.000 LED 18W 1890lm 3000K warm white
 Number of luminaires per 100m² for
 100lx 200lx 300lx 500lx
 7 13 19 32

42065.000 LED 18W 1890lm 3000K warm white
 Module (m) 1.2x1.8 1.8x1.8 1.8x2.4 2.4x2.4
 Illuminance E_n (lx) for module (m) 735 490 367 276

Correction table

Ceiling	0.70	0.70	0.70	0.50	0
Wall	0.70	0.50	0.20	0.20	0
Floor	0.50	0.20	0.20	0.10	0

k	0.6	86	65	68	63	59
k	1.0	99	79	81	75	70
k	1.5	106	91	91	84	79
k	2.5	112	100	97	90	84
k	3.0	113	103	99	92	86

Cleaning (a)	1				2				3			
	P	C	N	D	P	C	N	D	P	C	N	D
Ambient conditions												
LMF	0.94	0.88	0.82	0.77	0.91	0.83	0.77	0.71	0.89	0.79	0.73	0.65
RSMF	0.97	0.95	0.91	0.86	0.97	0.94	0.90	0.86	0.97	0.94	0.90	0.86

Hours of operation (h)	1000	5000	10000	20000	30000	40000	50000
LLMF	1.00	0.99	0.98	0.96	0.94	0.92	0.90
LSF	1	1	1	1	1	1	1

MF LMFxRSMFxLLMFxLSF
 MF Maintenance Factor
 LMF Luminaire Maintenance Factor
 RSMF Room Surface Maintenance Factor
 LLMF Lamp Lumens Maintenance Factor
 LSF Lamp Survival Factor
 P Room pure
 C Room clean
 N Room normal
 D Room dirty

Technical data in accordance with international norms and standards

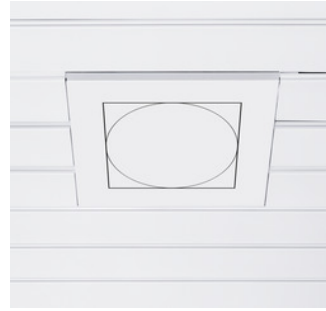
IEC 60598 Luminaires – Part 1+2: general requirements, specific requirements and tests
 IEC 62031 LED modules for general lighting – safety requirements
 IEC 62471 Photobiological safety of lamps and lamp systems
 EN13032-4 Light and lighting – measurement and representation of photometric data
 CIE 13 Method of measuring and specifying colour rendering properties of light sources

All technical data is subject to industrially standard tolerances.
 Also see www.erco.com/erco-led

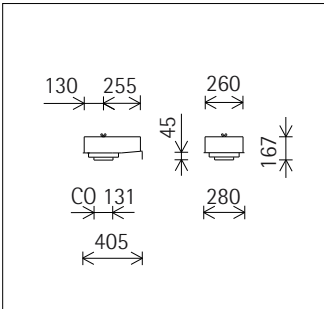
Accessories



83738.000
Concrete housing
Stainless steel, galvanised/powder-coated.
Recommended 0-8mm aggregate for the concrete.
Weight 4.35kg



82950.000
Mounting plate for panelled ceilings
Metal, white (RAL9002) powder-coated.
Individual design of mounting plates according to ceiling type and luminaire.
Quote ceiling type and dimensions.



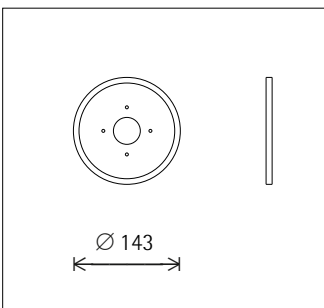
88290.000
Compensation set
For oversize ceiling cut-out.
Lock ring: Sheet steel, galvanised.
Mounting for ceiling thickness of min. 10mm.
Cover ring: Metal, white.
when ordering, please state the diameter of the existing ceiling cutout and the diameter of the luminaire.



83595.000
Spacer plate
Aluminium.
For flush-mounting of downlights in concrete housings in exposed concrete ceilings.
Weight 0.07kg



83980.000
Cover ring
Metal, white. For covering the gap where ceiling cut-outs are too big.
Inner and outer diameter to be specified when placing order.



82936.000
Mounting ring
For flush mounting of luminaires with ceiling aperture \varnothing 131mm.
Polymer, white (RAL9002). Mounting for ceiling thicknesses of 12.5-25mm.
The recess depth of the luminaire increases by 2mm.
Weight 0.10kg

